

KOMATSU®

PC30MR-5 PC35MR-5

Tier 4 Final Engine

COMPACT HYDRAULIC EXCAVATOR



Photos may include optional equipment.

NET HORSEPOWER

PC30MR-5 PC35MR-5
24.4 HP @ 2200 rpm
18.2 kW @ 2200 rpm

OPERATING WEIGHT

WITH CANOPY
PC30MR-5: 6,505 lb 2950 kg
PC35MR-5: 7,993 lb 3625 kg
WITH CAB
PC30MR-5: 6,836 lb 3100 kg
PC35MR-5: 8,324 lb 3775 kg

BUCKET CAPACITY

PC30MR-5: 0.07–0.21 yd³ 0.055–0.16 m³
PC35MR-5: 0.07–0.24 yd³ 0.055–0.18 m³

PC30/35MR

WALK-AROUND

PC30/35MR



Photos may include optional equipment.

NET HORSEPOWER

PC30MR-5 PC35MR-5
24.4 HP @ 2200 rpm
18.2 kW @ 2200 rpm

OPERATING WEIGHT

WITH CANOPY
PC30MR-5: 6,505 lb 2950 kg
PC35MR-5: 7,993 lb 3625 kg
WITH CAB
PC30MR-5: 6,836 lb 3100 kg
PC35MR-5: 8,324 lb 3775 kg

MAXIMUM DIGGING DEPTH

PC30MR-5: 9'1" 2760 mm
PC35MR-5: 11'4" 3455 mm

PERFORMANCE AND VERSATILITY

- Standard auxiliary hydraulics
- Standard thumb mounting bracket on PC35MR-5*
- Three track options: rubber, steel or roadliner
- Automatic two-speed travel
- ISO/SAE pattern change valve

New engine and hydraulic technology improves operational efficiency and lowers fuel consumption by up to 5%.**

A Komatsu 3D88E-7 engine provides a net output of 18.2 kW **24.4 HP** and is EPA Tier 4 Final emissions certified.

Komatsu's Closed-Center Load Sensing System (CLSS) provides quick response and smooth operation to maximize productivity.

Power and Economy modes better match the duty cycle to the application.

New Large LCD color monitor panel

- 3.5" high resolution screen
- Provides "Ecology Guidance" for fuel efficient operation
- Enhanced attachment control
- Seat belt indicator
- Maintenance information

Equipment Management Monitoring System (EMMS) continuously monitors machine operation and vital systems to identify machine issues and assist with troubleshooting.

Enhanced working environment

- Mid back, suspension operator seat
- Integrated ROPS cab design (ISO 3741:2008)
- Cab meets ISO Level 1 Operator Protective Guard (OPG) top guard (ISO 10262)
- Two post canopy or optional ROPS cab
- Standard control pattern changer

Minimum Swing Radius with swing boom allows the PC30MR and PC35MR to fit in confined spaces at jobsites.

Proportional Pilot Controlled (PPC) joysticks provide fine control and smooth operation.

Standard auxiliary hydraulic circuit piping for attachments

Manual selector valve allows the operator to switch between one-way (breaker) and two-way (thumb) flow.



Standard thumb mounting bracket on PC35MR-5*

Chevron-shaped boom cylinder guard provides additional protection.

High strength X-track frame for easy cleaning.

Large diameter boom swing pin for added durability.

Convenient access

- Optional cab has a large swing open door
- Wide service doors for ground level service access
- Tilt forward operator platform for easy service

Komatsu Auto Idle Shutdown Systems help reduce nonproductive engine idle time and lower fuel consumption.

The **KOMTRAX®** telematics system is standard on Komatsu equipment with no subscription-fee's throughout the life of the machine. Using the latest wireless technology, **KOMTRAX®** transmits valuable information such as location, utilization, and maintenance records to a PC or smart-phone app. Custom machine reports are provided for identifying machine efficiency and operating trends. **KOMTRAX®** also provides advanced machine troubleshooting capabilities by continuously monitoring machine health.

* Thumb is not standard ** All comparisons are to the prior model, unless otherwise stated.

PERFORMANCE FEATURES

High Performance and Low Fuel Consumption

Komatsu's electronic control system, aided by a heavy-duty cooled Exhaust Gas Recirculation (EGR) system and other technologies, helps reduce fuel consumption by up to 5%*.

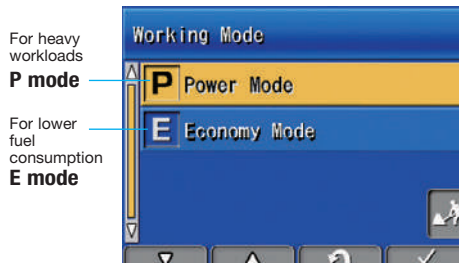
* Compared with Komatsu's prior models. The above data may differ from actual fuel consumption depending on the type of work. Fuel consumption data is based on in-house comparison test results.

Electronic control system

Provides quick response and smooth operation to maximize productivity.

Selectable Two Working Modes

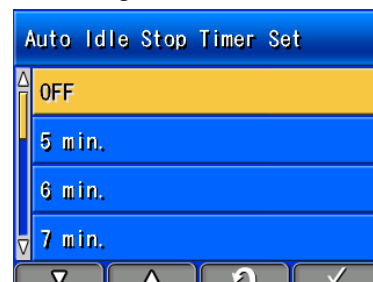
Power (P) mode for heavy workloads and Economy (E) mode for lower fuel consumption. Both can be chosen easily on the monitor panel to match performance to the application.



Selection screen of two working modes

Komatsu Auto Idle Shutdown

Komatsu auto idle shutdown* automatically shuts the engine down after idling for a set period of time to reduce unnecessary fuel consumption and exhaust emissions. The amount of time before the engine is shutdown can be easily programmed from 5 to 60 minutes.



* Default setting is OFF.



PC30MR-5

Automatic Two Speed Travel

Conveniently located on the blade control lever, the travel speed selector switch enables the operator to select high speed travel simply by shifting up or down.



Pattern Change Valve

A standard pattern change valve provides easy and quick pattern change control between ISO and SAE patterns.

Attachment Selector Valve

Allows the operator to switch between one-way (Breaker) and two-way auxiliary hydraulic flow (Thumb).



Boom Cylinder Guard

A strengthened boom cylinder guard helps protect the boom cylinder.

Boom Work Lamp

A front working lamp provides illumination to the digging area and is protected by the sides of the boom.



Travel Lamp

A front mounted work lamp improves visibility during night operation and while traveling.



Canopy



Cab

Travel Pedals

Machine travel can be controlled by hand levers or foot pedals. When travel pedals are not used they can be folded up out of the way to provide more foot space.

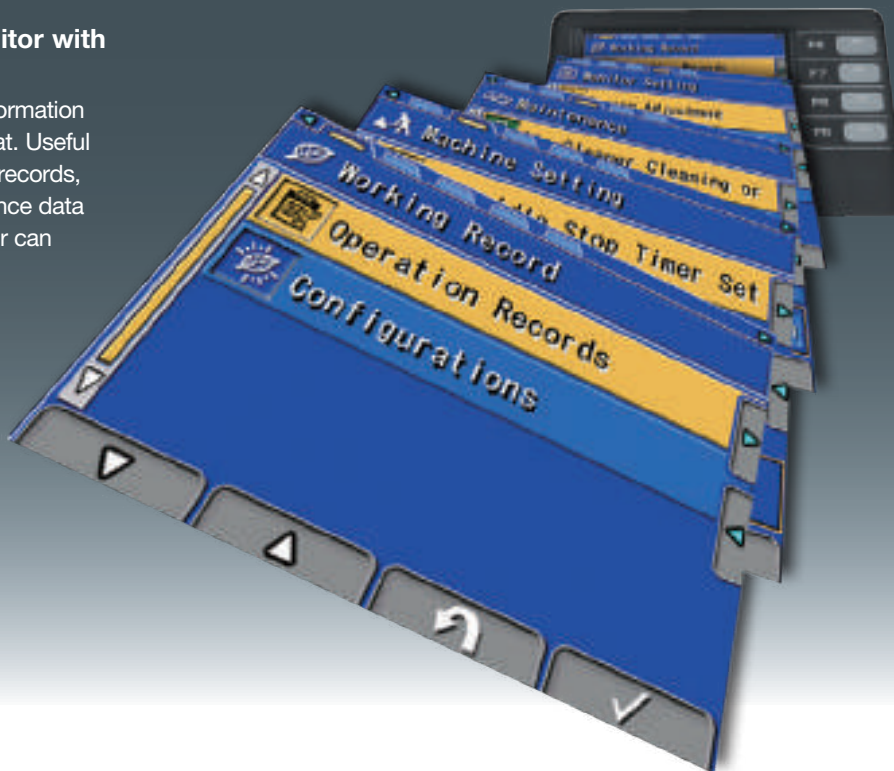


MONITOR PANEL

MULTI-FUNCTION MONITOR

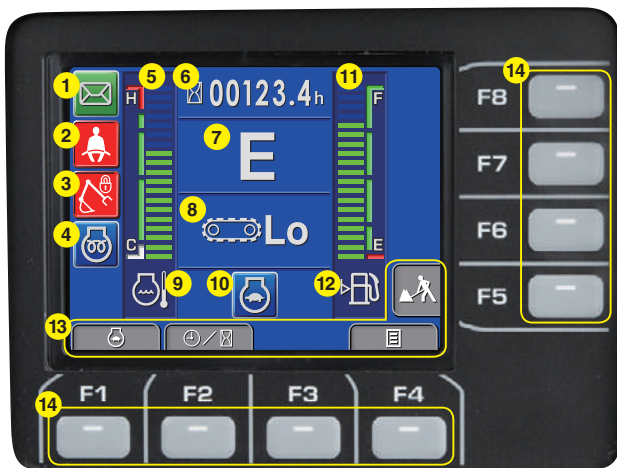
New Multi-Function Monitor with More Information

Various alerts and machine information are displayed in a simple format. Useful information such as operation records, machine setting and maintenance data are also provided. The operator can easily switch screens.



High-Definition 3.5" LCD Color Monitor Provides Excellent Visibility

The high-definition LCD color monitor offers excellent visibility even when viewed in bright light and from off center.



Indicators, basic operation switches

- | | |
|------------------------------------|------------------------------|
| 1 Message | 8 Travel mode |
| 2 Seat belt | 9 Engine coolant temperature |
| 3 Work equipment lock | 10 Auto-decelerator |
| 4 Engine preheating | 11 Fuel gauge |
| 5 Engine coolant temperature gauge | 12 Low fuel warning |
| 6 Service meter, clock | 13 Guidance icons |
| 7 Working mode | 14 Function switches |



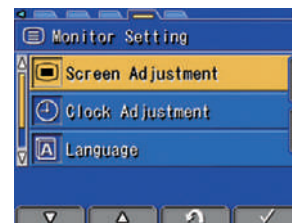
Working record



Machine setting



Maintenance



Monitor setting





OPERATOR ENVIRONMENT

TWO-POST ROPS & OPG CANOPY/CAB

Two-Post Canopy Compliant with ROPS and OPG Level 1 (Top Guard)

Equipped with a steel roof, two-post canopy that is ROPS and OPG Level 1 certified, as well as a retractable seat belt, for extra operator peace of mind.

The cab model is also compliant with the ROPS and OPG (Top guard level 1) standards.

ROPS: Roll-Over Protective Structures

A mechanism to protect the operator with a seat belt in the event of rolling over
Compliant under the test conditions of ISO 3471

OPG: Operator Protective Guards (Top guard)

A mechanism to protect the operator from falling objects
Compliant with top guard level 1 of ISO 10262

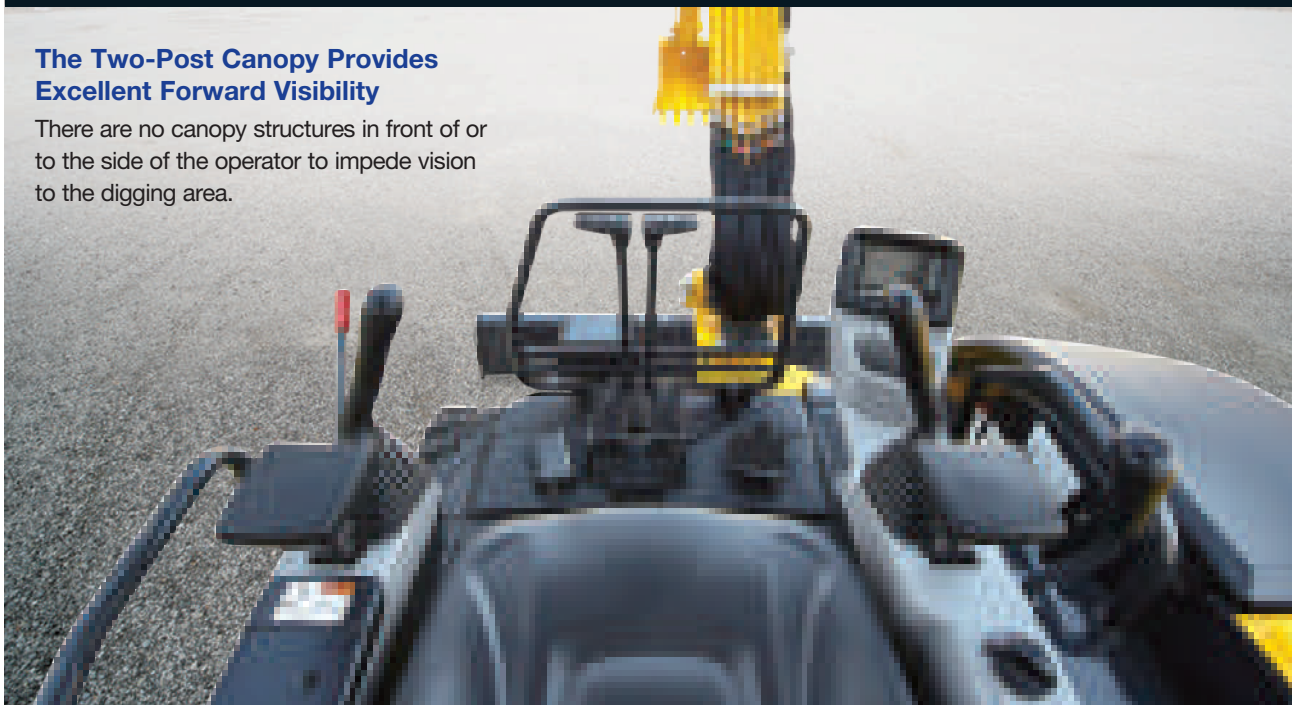


PC30/35MR

EXCELLENT VISIBILITY

The Two-Post Canopy Provides Excellent Forward Visibility

There are no canopy structures in front of or to the side of the operator to impede vision to the digging area.

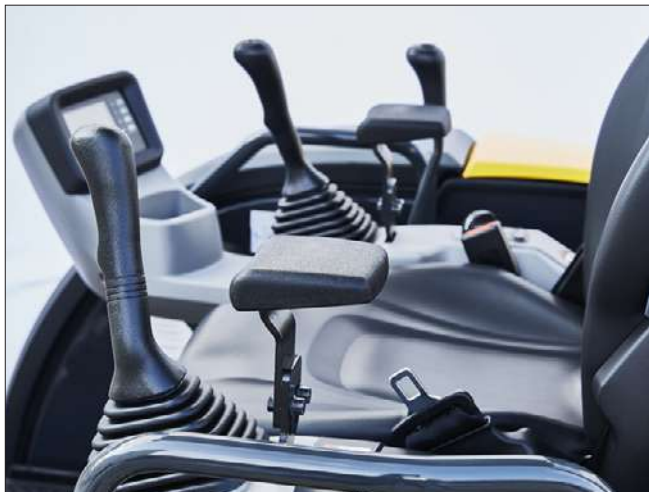


Seat Belt Caution Indicator

A warning light on the monitor appears when the seat belt is not worn.



Vinyl Semi-High Back Seat provides protection from the elements. 78 mm 3" retractable seat belt is easy to fasten and release.



Hydraulic Accumulator

allows lowering of boom and arm with engine off.



Other Equipment

Hydraulic Hose Covers

Hoses between the machine and boom are covered by protective hose wrap.



Fan guard



Reflectors



Secondary engine shut down switch



OPERATOR ENVIRONMENT



Spacious and Comfortable Operator's Compartment

The two-post canopy provides an uninterrupted wide field of view. A high quality interior with well-placed controls and a semi-high back reclining seat provides a comfortable operator work environment.

Standard Accessories

Seat with a semi-high back



Wrist rest



Accessory tray



Large cup holder (For canopy)



12 V external power outlet



OPTIONAL ENCLOSED CAB

Large Optional Cab Provides A Comfortable Operator Environment.

The optional heated and cooled enclosed cab has large flat glass panels and is wider than previous models. The cab conforms to the ISO 3471 ROPS standard for excavators. It also satisfies the requirements for ISO10262 Level 1 Operator Protective Guard (OPG) and top guard.



Large Door Opening

A 17% larger cab door entrance (compared with prior Komatsu models) makes entrance and exit easier.



Standard Accessories for Cab

Sliding window glass (Right side)



Rear view mirrors



Cup holder (For cab)



Front window with assist



**Reinforced front glass
Escape hammer
Room lamp
Hanger**

High Capacity air conditioner (A/C)

The optional enclosed cab arrangement includes a high capacity A/C and defrosting system with well located air flow outlets to provide a comfortable year round operator environment.



Heater with fresh air vents

MAINTENANCE FEATURES

WIDE OPENING SERVICE DOORS AND TILTING CAB PLATFORM

Large service compartment doors and tilting cab platform provide simplified daily inspection and maintenance.

Large engine and cooler compartment doors simplify daily inspection and periodic maintenance activities. The operator platform tilts forward providing unimpeded access to hydraulic and engine components for maintenance or repair work.



Easy Maintenance

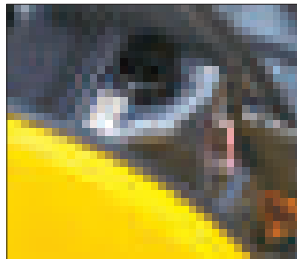
Side-by-side cooling

Radiator and oil coolers are arranged side by side for easy cleaning.



Easier refueling

A large fuel tank cap and filler neck with fuel tank level sight gauge simplify machine refueling.



Long-life oil, filter

The engine oil and engine oil filter replacement interval is 500 hours. Intervals for hydraulic oil and hydraulic oil filters are 2,000 hours and 1,000 hours, respectively. These long replacement intervals reduce costs and maximize uptime.



Hydraulic oil filter
(Ecology White Plus element)

Fuel system filters

A fuel pre-filter with water separator and a primary fuel filter remove contaminants and help keep the fuel system running efficiently.



Large fuel filter

Fuel pre-filter (With water separator)

Quick release battery terminal

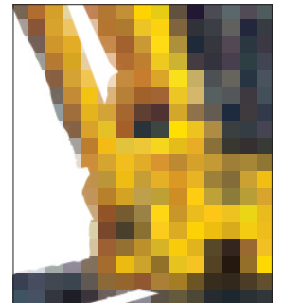
The negative battery terminal can be easily disconnected without tools to protect the batteries when machine is not operating or is being serviced.





Large Diameter Swing Pin

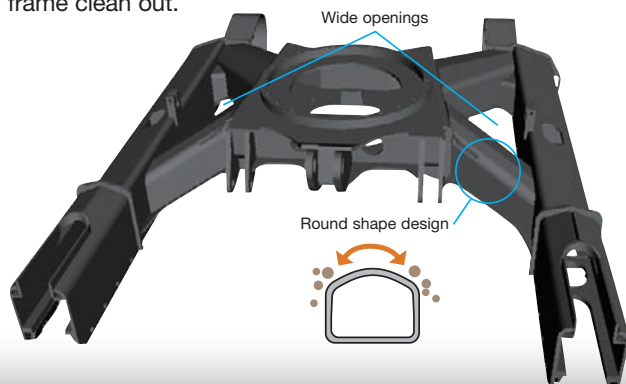
A large diameter swing pin with replaceable abrasion resistant steel bushing help maintain tight tolerances after long term operation.



Forward tilting cab platform and large service access doors

High Strength Carbody

An "X" style carbody incorporates Komatsu large excavator experience to provide a high strength undercarriage with wide openings to simplify track roller frame clean out.



Maintenance Information and Reminders are displayed in an easy to understand format in the monitor.

Maintenance and service activities are tracked in the monitor. When the time before a maintenance interval dips below 30 hours, a maintenance reminder lamp is illuminated on the display.



Maintenance reminder



Maintenance screen

KOMATSU PARTS & SERVICE SUPPORT



Komatsu Parts Support

- 24/7/365 to fulfill your parts needs
- 9 parts Distribution Centers strategically located across the U.S. and Canada
- Distributor network of more than 300 locations across U.S. and Canada to serve you
- Online part ordering through Komatsu eParts
- Remanufactured components with same-as-new warranties at a significant cost reduction



Komatsu Oil and Wear Analysis (KOWA)

- KOWA detects fuel dilution, coolant leaks, and measures wear metals
- Proactively maintain your equipment
- Maximize availability and performance
- Can identify potential problems before they lead to major repairs
- Reduce life cycle cost by extending component life

PC30/35MR

KOMTRAX EQUIPMENT MONITORING

GET THE WHOLE STORY WITH
KOMTRAX[®]

✓ WHAT

- KOMTRAX is Komatsu's remote equipment monitoring and management system
- KOMTRAX **continuously monitors and records** machine health and operational data
- Information such as fuel consumption, utilization, and a detailed history **lowering owning and operating cost**

✓ WHO

- KOMTRAX is **standard** equipment on all Komatsu construction products

✓ WHEN

- Knowing when machines are **running or idling** can help improve fleet utilization
- Detailed movement records ensure you know when and where your equipment is moved
- Up to date records allow you to **know when maintenance is due** and help you plan for future maintenance needs

✓ WHERE

- KOMTRAX data **can be accessed virtually anywhere** through your computer, the web or your smart phone
- Automatic alerts keep fleet managers up to date on the latest machine notifications

✓ WHY

- Knowledge is power - **make informed decisions** to manage your fleet better
- Knowing your idle time and fuel consumption will help maximize your machine efficiency
- **Take control of your equipment** - any time, anywhere



KOMTRAX[®]

For construction and compact equipment.

KOMTRAX Plus[®]

For production and mining class machines.

SPECIFICATIONS



ENGINE

Model..... Komatsu 3D88E-7*
 Type..... Water-cooled, direct injection
 Number of cylinders..... 3
 Bore..... 88 mm **3.46"**
 Stroke..... 90 mm **3.54"**
 Piston displacement..... 1.642 ltr **100.2 in³**
 Horsepower:
 SAE J1995..... Gross 18.2 kW **24.4 HP**
 ISO 9249 / SAE J1349..... Net 18.2 kW **24.4 HP**
 Rated rpm..... 2200
 Fan drive method for radiator cooling..... Mechanical
 *EPA Tier 4 Final emissions certified



HYDRAULICS

Number of selectable working modes 2
 Main pumps:
 Pumps for..... Boom, arm, bucket, and travel circuits
 Type..... Variable displacement piston x 2
 Maximum flow 32 ltr/min **18.3 gal/min**
 Pumps for..... Swing and blade
 Type..... Gear x 2
 Swing pump maximum flow 18.7 ltr/min **4.9 gal/min**
 Swing pressure maximum 20.1 MPa **2,915 psi**
 Blade pump maximum flow 9.9 ltr/min **2.61 gal/min**
 Blade pressure maximum..... 21.5 MPa **3,118 psi**
 Max auxiliary flow rate 50 Lpm **13.2 gpm**
 at 20.5 MPa **2,973 psi**
 Hydraulic valve 8 spool
 Operating method..... Hydraulic assist
 Travel motor:
 Type..... Variable displacement piston x 2
 (with counterbalance valve and travel shaft brake)
 Swing motor:
 Type..... Fixed displacement piston type x 1
 (with brake valve and swing shaft brake)
 Hydraulic cylinders: (Number of cylinders – bore x stroke x rod diameter)
 Boom (PC30MR-5)..... 1–80 mm x 550 mm x 45 mm
3.14" x 21.6" x 1.77"
 (PC35MR-5)..... 1–80 mm x 585 mm x 45 mm
3.14" x 23.0" x 1.77"
 Arm (PC30MR-5)..... 1–75 mm x 595 mm x 45 mm
2.9" x 23.4" x 1.77"
 (PC35MR-5)..... 1–75 mm x 595 mm x 45 mm
2.9" x 23.4" x 1.77"
 Bucket (PC30MR-5)..... 1–65 mm x 490 mm x 40 mm
2.55" x 19.29" x 1.57"
 (PC35MR-5)..... 1–65 mm x 490 mm x 40 mm
2.55" x 19.29" x 1.57"
 Boom swing (PC30MR-5)..... 1–80 mm x 500 mm x 40 mm
3.14" x 19.6" x 1.57"
 (PC35MR-5)..... 1–95 mm x 482 mm x 50 mm
3.74" x 18.97" x 1.97"
 Blade (PC30MR-5)..... 1–85 mm x 135 mm x 45 mm
3.34" x 5.11" x 1.77"
 (PC35MR-5)..... 1–95 mm x 140 mm x 45 mm
3.74" x 5.51" x 1.77"



DRIVES AND BRAKES

Steering control..... Two levers with pedals
 Drive method Hydrostatic
 Gradeability 30°
 Maximum travel speed (rubber):High..... 4.6 km/h **2.85 mph**
 (Auto-shift) Low 2.6 km/h **1.61 mph**
 Service brake..... Hydraulic lock
 Parking brake..... Mechanical disc
 Maximum drawbar pull 33 kN 3400 kgf **7,495 lbf**



UNDERCARRIAGE

Center frame X-frame
 Track frame Box-section
 Track type Sealed
 Track adjuster Greased gun
 Number of carrier rollers (each side) 1
 Number of track rollers (each side) 4



COOLANT & LUBRICANT CAPACITY (REFILLING)

Engine..... 6.7 ltr **1.77 U.S. gal**
 Hydraulic system..... 20 ltr **5.3 U.S. gal**
 Cooling system 3.3 ltr **0.87 U.S. gal**
 Fuel tank 41 ltr **10.8 U.S. gal**
 Final drive (each side)..... 0.6 ltr **0.15 U.S. gal**



OPERATING WEIGHT (APPROXIMATE)

Operating weight including 2180mm **7'2"** (PC30MR-5) 2540mm **8'4"** (PC35MR-5) one piece boom, 1370mm **4'6"** (PC30MR-5) 1720 **5'8"** (PC35MR-5) arm, .09 m³ **3.17 ft³** (PC30MR-5) 0.11m³ **3.88 ft³** (PC35MR-5) bucket, blade, rated capacity of lubricants, coolant, full fuel tank, operator and standard equipment.

PC30MR-5			
ROPS Canopy, Rubber Shoe		ROPS Cab, Rubber Shoe	
Operating Weight	Ground Pressure	Operating Weight	Ground Pressure
2950 kg 6,505 lb	26.7 kPa 3.87 psi	3100 kg 6,836 lb	28 kPa 4.06 psi

PC35MR-5			
ROPS Canopy, Rubber Shoe		ROPS Cab, Rubber Shoe	
Operating Weight	Ground Pressure	Operating Weight	Ground Pressure
3625 kg 7,993 lb	35.9 kPa 5.20 psi	3775 kg 8,324 lb	37.3 kPa 5.4 psi



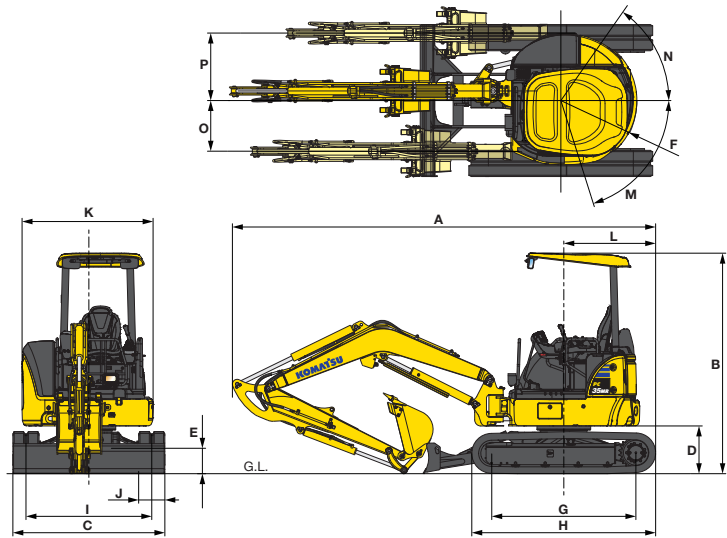
BLADE

Width x height
 PC30MR-5 1550 mm x 355 mm **5'1" x 1'2"**
 PC35MR-5 1740 mm x 355 mm **5'9" x 1'2"**



DIMENSIONS

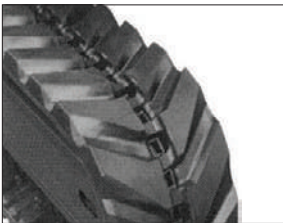
		PC30MR-5	PC35MR-5
Boom Length		2285 mm 7'6"	2540 mm 8'4"
Arm Length		1240 mm 4'1"	1720 mm 5'8"
A	Overall length	4560 mm 15'0"	4825 mm 15'10"
B	Overall height	2520 mm 8'3"	2520 mm 8'3"
C	Overall width	1550 mm 5'1"	1740 mm 5'9"
D	Ground clearance, counterweight	545 mm 1'9"	545 mm 1'9"
E	Ground clearance (minimum)	305 mm 1'0"	290 mm 11"
F	Tail swing radius	790 mm 2'7"	870 mm 2'10"
G	Track length on ground	1650 mm 5'5"	1650 mm 5'5"
H	Track length	2105 mm 6'11"	2105 mm 6'11"
I	Track gauge	1250 mm 4'1"	1440 mm 4'9"
J	Shoe width	300 mm 1'0"	300 mm 1'0"
K	Machine upper width	1500 mm 4'11"	1500 mm 4'11"
L	Distance, swing center to end of tracks	1050 mm 3'5"	1050 mm 3'5"
M/N	Boom swing angle deg.	LH80°/RH50°	LH75°/RH55°
O	Bucket offset LH	580 mm 1'11"	580 mm 1'11"
P	Bucket offset RH	845 mm 2'9"	770 mm 2'6"



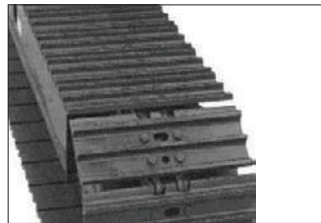
With rubber tracks



THREE TRACK VERSIONS AVAILABLE



Rubber



Steel*



Roadliner



* Steel tracks available only on the PC35MR-5

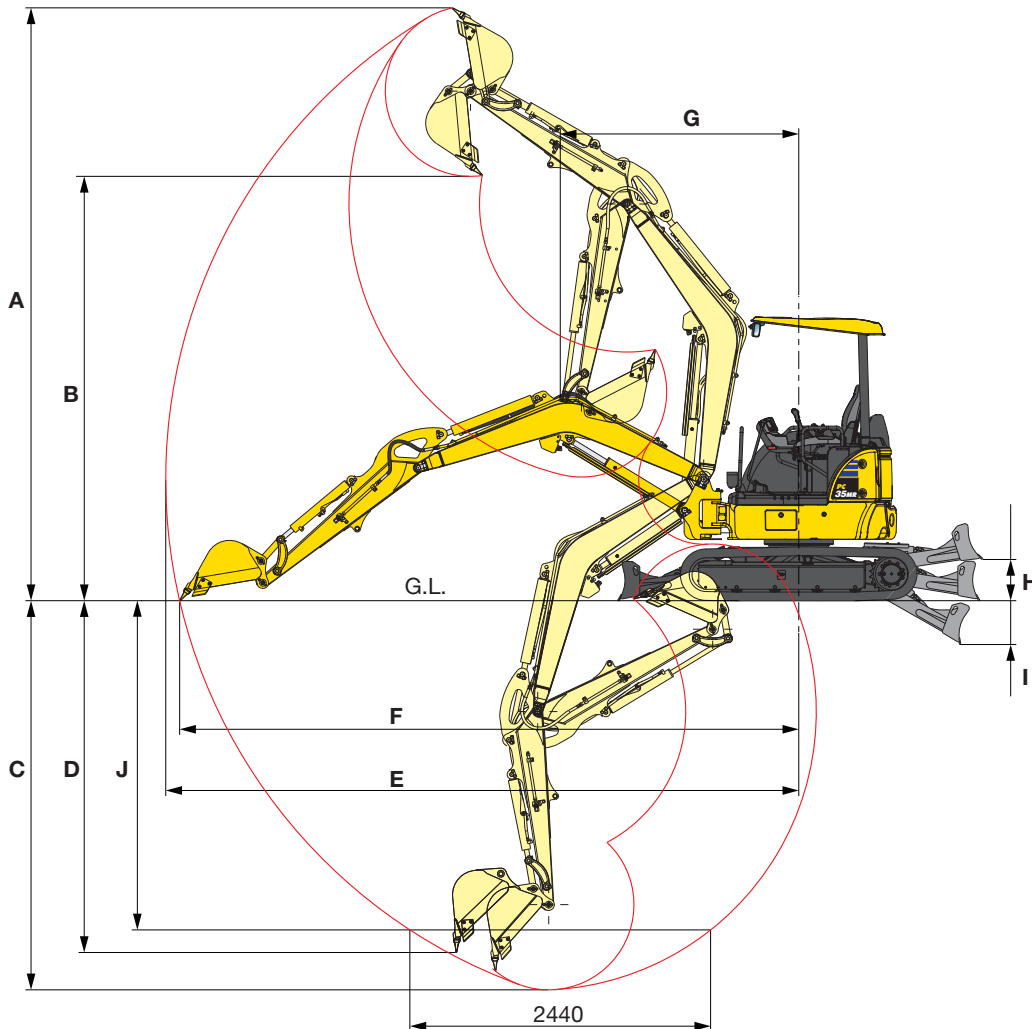
SPECIFICATIONS



WORKING RANGE

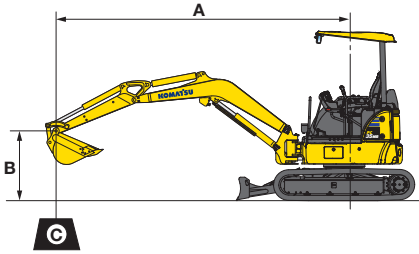
		PC30MR-5		PC35MR-5	
Boom Length		2285 mm	7'6"	2540 mm	8'4"
Arm Length		1240 mm	4'1"	1720 mm	5'8"
A	Maximum digging height	4840 mm	15'11"	5270 mm	17'3"
B	Maximum dumping height	3350 mm	11'0"	3790 mm	12'5"
C	Maximum digging depth	2760 mm	9'1"	3455 mm	11'4"
D	Maximum vertical wall digging depth	2400 mm	7'10"	3120 mm	10'3"
E	Maximum digging reach	5050 mm	16'7"	5640 mm	18'6"
F	Maximum digging reach at ground	4910 mm	16'1"	5520 mm	18'1"
G	Minimum swing radius (when boom swings)	2055 (1560) mm	6'9" (5'1")	2140 (1710) mm	7'0" (5'7")
H	Maximum blade lift	360 mm	1'2"	360 mm	1'2"
I	Maximum blade depth	310 mm	1'0"	390 mm	1'3"
J	Maximum digging depth of cut for 2440 mm 96" level	2260 mm	7'5"	3000 mm	9'11"
ISO 6015 Rating	Bucket digging force	29.5 kN 6,631 lbs		29.9 kN 6,722 lbs	
	Arm crowd force	17.7 kN 3,979 lbs		20.6 kN 4,631 lbs	

With rubber tracks





LIFTING CAPACITY WITH LIFTING MODE



- A: Reach from swing center
- B: Bucket hook height
- C: Lifting capacity
- Cf: Rating over front
- Cs: Rating over side
- ⊗: Rating at maximum reach

Conditions:

- Boom length: 2285 mm **7' 6"** one-piece boom
- Arm length: 1240 mm **4' 1"**
- 300 mm **12"** rubber tracks
- Blade on ground
- 0.09 m³ **3.18 ft³** bucket
- Bucket weight: 62.5 kg **138 lb**
- Counterweight: 265 kg **518 lb**

PC30MR-5

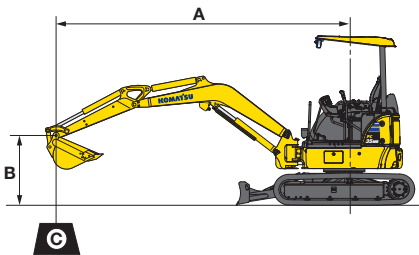
Unit: kg lb

B \ A	2.0 m 6.5'		3.0 m 10'		4.0 m 13'		⊗ MAX	
	Cf	Cs	Cf	Cs	Cf	Cs	Cf	Cs
3.0 m 10'			755 1664	465 1025			825 1819	285 628
2.0 m 6.5'			1005 2216	440 970	835 1841	260 573	825 1819	220 485
1.0 m 3.25'			1325 2921	390 860	920 2028	240 529	845 1863	200 441
0 m 0'	2670 5886	655 1444	1445 3186	360 794	930 2050	230 507	875 1929	205 452
-1.0 m -3.25'	2155 4751	665 1466	1255 2767	355 783			885 1951	255 562

*Load is limited by hydraulic capacity rather than tipping. Ratings are based on ISO standard No. 10567. Rated loads do not exceed 87% of hydraulic lift capacity or 75% of tipping load.



LIFTING CAPACITY WITH LIFTING MODE



- A: Reach from swing center
- B: Bucket hook height
- C: Lifting capacity
- Cf: Rating over front
- Cs: Rating over side
- ⊗: Rating at maximum reach

Conditions:

- Boom length: 2540 mm **8' 4"** one-piece boom
- Arm length: 1720 mm **5' 8"**
- 300 mm **12"** rubber tracks
- Blade on ground
- 0.09 m³ **3.18 ft³** bucket
- Bucket weight: 62.5 kg **138 lb**
- Counterweight: 650 kg **1,433 lb**

PC35MR-5

Unit: kg lb

B \ A	2.0 m 6.5'		3.0 m 10'		4.0 m 13'		⊗ MAX	
	Cf	Cs	Cf	Cs	Cf	Cs	Cf	Cs
3.0 m 10'					595 1312	410 904	615 1356	340 750
2.0 m 6.5'			795 1753	660 1455	680 1499	400 882	640 1411	285 628
1.0 m 3.25'			1165 2568	610 1345	815 1797	380 838	675 1488	265 584
0 m 0'	2735 6030	1085 2392	1390 3064	575 1268	910 2006	365 805	720 1587	265 584
-1.0 m -3.25'	2470 5445	1090 2403	1370 3020	565 1246	880 1940	360 794	770 1698	320 705

*Load is limited by hydraulic capacity rather than tipping. Ratings are based on ISO standard No. 10567. Rated loads do not exceed 87% of hydraulic lift capacity or 75% of tipping load.



STANDARD EQUIPMENT

ENGINE

- Air cleaner, double element with auto dust evacuator
- Cooling fan, suction type

ELECTRICAL SYSTEM

- Alternator, 12 V/55 A
- Auto-decelerator
- Battery, 1 x 12 V/58 Ah
- Front travel light
- Starting motor 12 V/1.7 kW
- Working light on boom

HYDRAULIC SYSTEM

- Auxiliary hydraulics with one-way/two-way flow selector valve
- Foot control for auxiliary hydraulics
- ISO/SAE pattern change valve

GUARDS AND COVERS

- Fan guard
- Thermal guard

UNDERCARRIAGE

- Shoe, 300 mm **12"** rubber shoe

OPERATOR ENVIRONMENT

- 12 V x 1 power supply
- Automatic two-speed travel control
- High resolution 3.5" LCD color monitor
- Lock lever auto lock function
- Rear view mirrors (RH, LH)
- Retractable seat belt, 78 mm **3"**
- Suspension seat
- Travel alarm
- Two-post ROPS (ISO 3471) canopy

WORK EQUIPMENT

- Arms
 - 1240 mm **48.8"** arm assembly with piping (PC30MR-5)
 - 1720 mm **67.7"** arm assembly with piping (PC35MR-5)
- Backfill blade
- Booms
 - 2285 mm **90"** boom assembly with piping (PC30MR-5)
 - 2540 mm **100"** boom assembly with piping (PC35MR-5)

OTHER EQUIPMENT

- Auto idle shutdown
- KOMTRAX®
- Quick release battery terminal (-)
- Swing holding brake
- Counterweight
 - PC30MR-5, 265 kg **518 lb**
 - PC35MR-5, 650 kg **1,433 lb**



OPTIONAL EQUIPMENT

UNDERCARRIAGE

- Road Liner track, 300 mm **12"**
- Steel track*, 300 mm **12"**

OPERATOR ENVIRONMENT

- Cab with A/C, radio ready, auxiliary input (3.5 mm jack) ready
- Proportional joysticks

WORK EQUIPMENT

- Buckets
 - 300 mm **12"** HD bucket
 - 457 mm **18"** HD bucket
 - 610 mm **24"** HD bucket
- Hydraulic thumb
- Mechanical quick coupler

For a complete list of available attachments, please contact your local Komatsu distributor.

* Not available on PC30MR-5

KOMATSU®

Note: All comparisons and claims of improved performance made herein are made with respect to the prior Komatsu model unless otherwise specifically stated.